

6

5

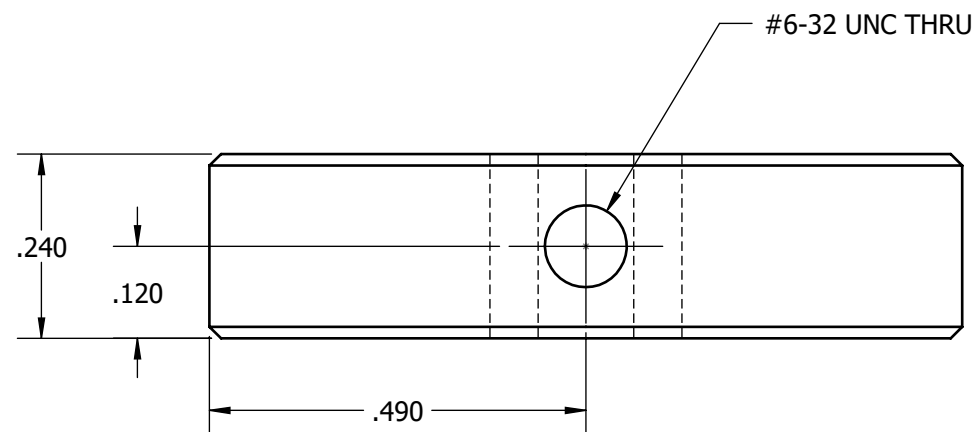
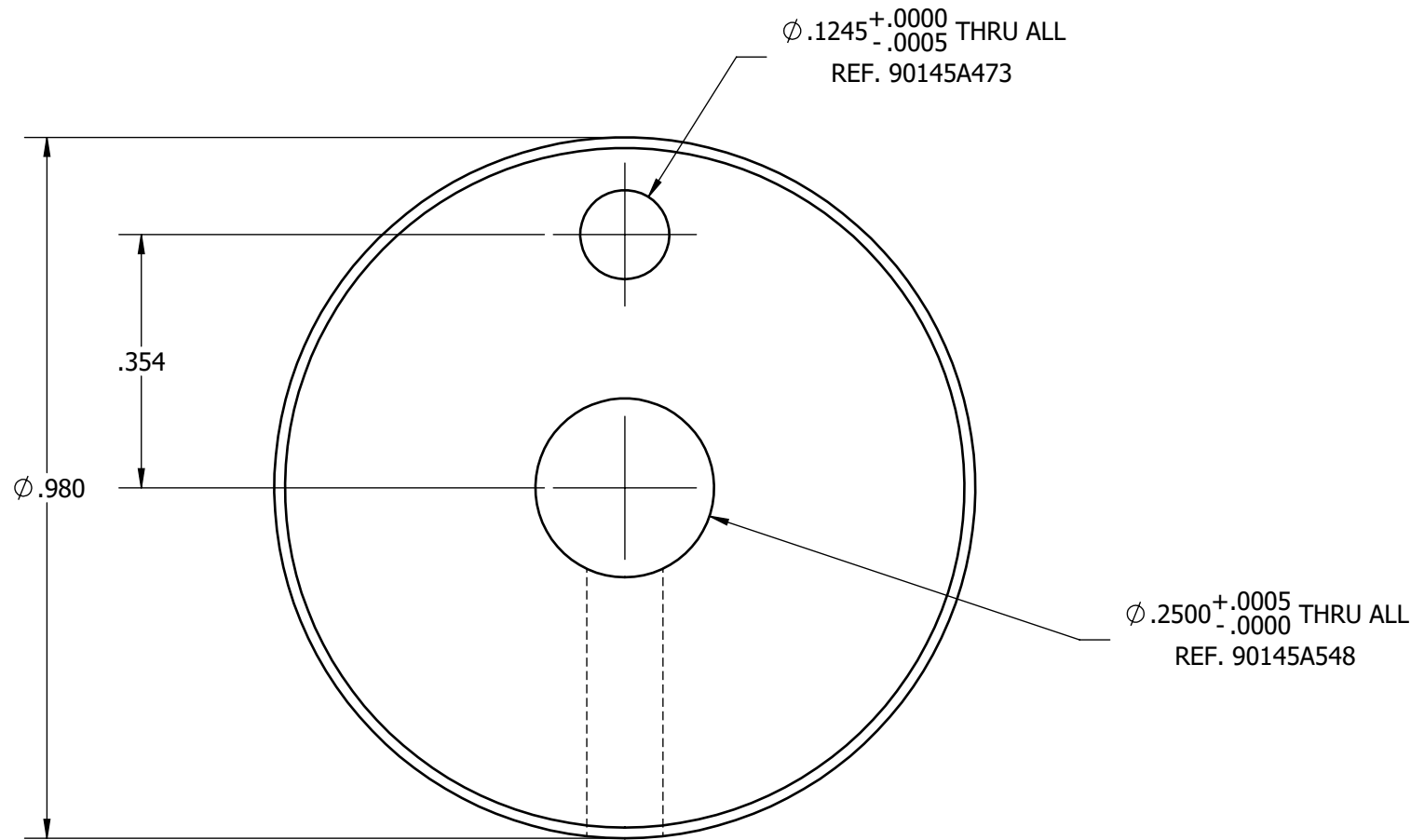
4

3

2

1

REVISIONS		
REV.	DESCRIPTION	DATE
A	INITIAL RELEASE	10/16/2024



**PROPRIETARY AND CONFIDENTIAL**

THE INFORMATION CONTAINED IN THIS DRAWING IS THE SOLE PROPERTY OF THE UNIVERSITY OF COLORADO. ANY REPRODUCTION IN PART OR AS A WHOLE WITHOUT WRITTEN PERMISSION IS PROHIBITED.

TOLERANCES:  
 X.X ±0.1  
 X.XX ±0.010  
 X.XXX ±0.005  
 X.X° ±1°

UNLESS OTHERWISE SPECIFIED:  
 DRAWING UNITS: INCHES  
 INTERPRET DRAWING PER ASME Y14.100  
 INTERPRET DIMENSIONS PER ASME Y14.5M

MATERIAL:  
 6061 ALUMINUM  
 FINISH:  
 MACHINED

DRAWN:  
 JULIA ABOUD

CHECKER:

MANUFACTURING ENGINEER:



UNIVERSITY OF COLORADO  
 1111 ENGINEERING DRIVE  
 BOULDER, CO 80309-0427  
 MCEN 1025

DESCRIPTION:  
 ALUMINUM CRANKDISK

PART NUMBER:  
 1025WE5

REV  
 A

SIZE: B

SHEET: 1 of 1

4

3

2

1